

# Fiber Alignment Stages

## UFP series High Sensitivity Fiber Optic Alignment Stages



### Features:

- The linear stage has both coarse adjustment and fine adjustment, sensitivity is much better than 0.5 $\mu$ m
- The rotation stage sensitivity is much better than 23.4"
- High stability

### Naming Rules

UFP 1A - L

1A: Thickness 20mm  
 1B: Thickness 25mm  
 1C: Thickness 30mm  
 2T: 2D rotation

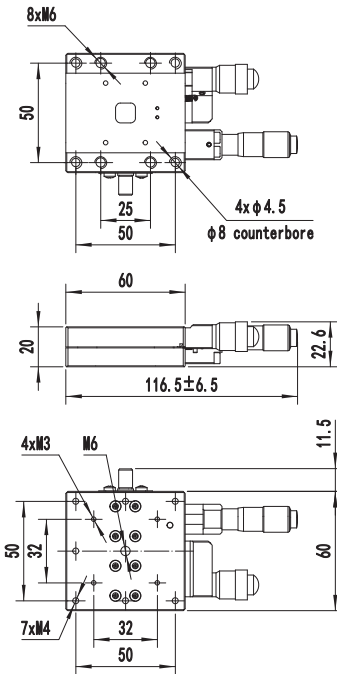
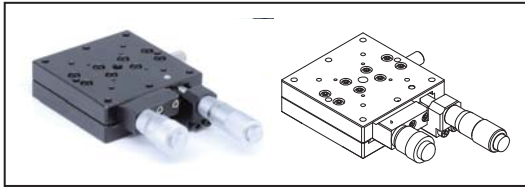
Drive position:  
 L: Left  
 R: Right

### Selection Table

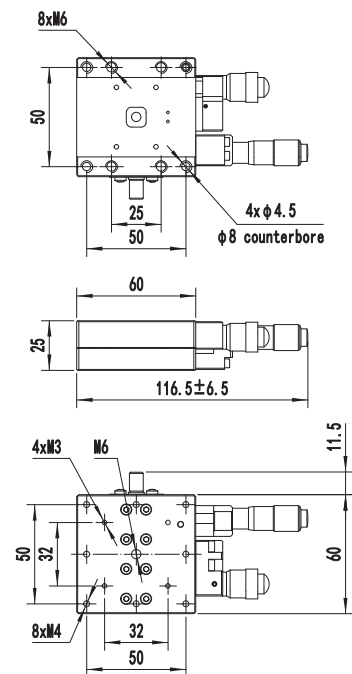
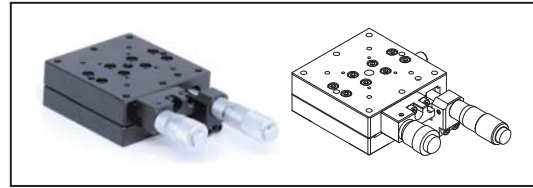
Model	UFP1A	UFP1B	UFP1C-L	UFP1C-R	UFP2T-L	UFP2T-R
Table Size(mm)	60×60				45×45	
Table Thickness(mm)	20	25	30		-	
Travel	coarse adjustment: $\pm 6.5$ mm; fine adjustment: $\pm 0.3$ mm				$\theta_x: \pm 3^\circ$ ; $\theta_y: \pm 3^\circ$	
Bearings	Linear slide guide		Crossed-Roller Bearings		Crossed-Roller Ring	
Actuators	micrometer					
Weight(Kg)	0.28	0.32	0.4		0.64	
Sensitivity	coarse adjustment: $\leq 10\mu$ m; fine adjustment $\leq 0.5\mu$ m				$\theta_x: \leq 25.2''$ ; $\theta_y: \leq 23.4''$	
Static parallelism			$\leq 60\mu$ m		-	
Motion parallelism			$\leq 10\mu$ m		-	
Motion straightness			$\leq 3\mu$ m		-	
Load(Kg)	5	5	5		1.5	

**Dimensions:**

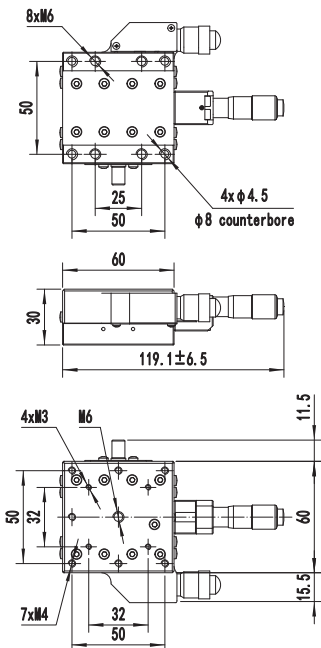
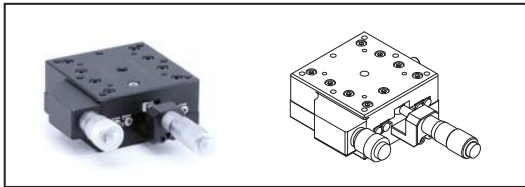
UFP1A



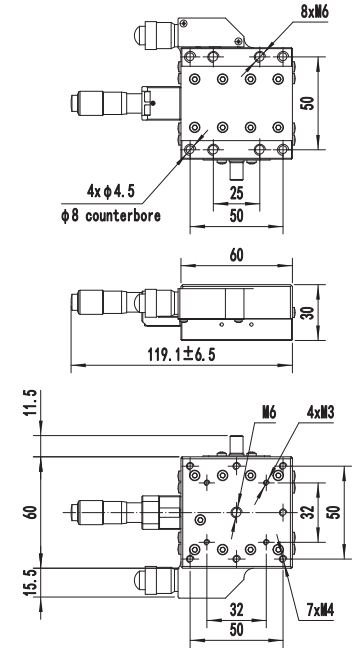
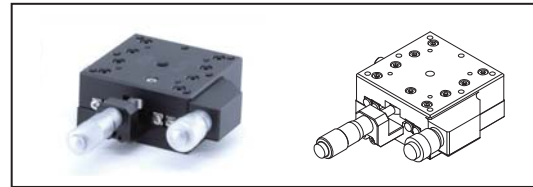
UFP1B



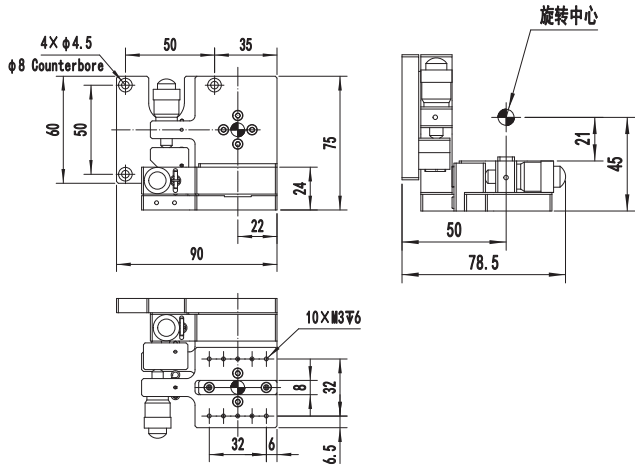
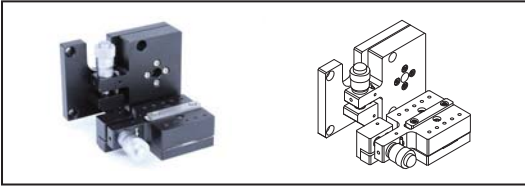
UFP1C-L



UFP1C-R



UFP2T-L



UFP2T-R

