

# NMHS series Kinematic Mirror Mount



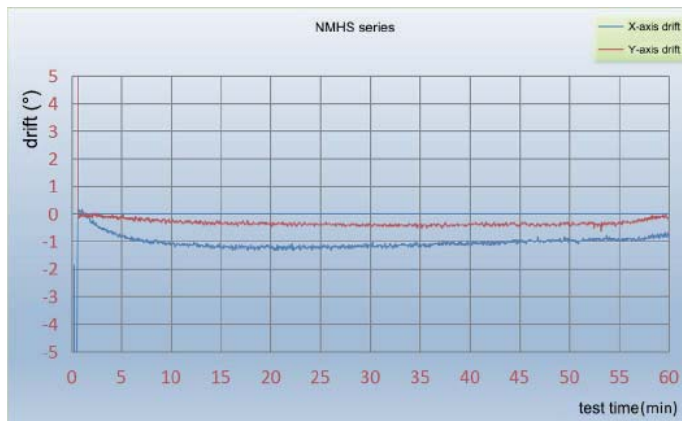
## Brief Introduction:

NMHS series is in the Zolix N series new designed kinematic mirror mounts, less thickness in fixed plate while keeping enough stability, optic size cover 12.7-50.8mm

## Features:

- High-quality materials: The main body is made of high-quality aluminium alloy, and the surface treated by black anodic oxidation.
- Advanced structure:
  - ① Lightweight design, compact and durable
  - ② The design of four-pull spring enhances the pulling force and makes the distribution of the pulling force more uniform.
- High sensitivity: 3 pcs 0.2 mm pitch super-fine thread pairs for 3D adjustment, for higher sensitivity
- Dual adjustment method: Adjusting thread pair come with inner-hexagonal adjusting hole behind. Can coupled with standard thumb wheel or Inner hexagon spanner, for better adjustment sensitivity and also larger angle range.
- Universal mounting holes: M4, M6 screw holes

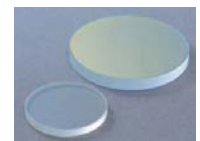
## NMHS Stability Test Curve



## Related Products:



Mirrors with coating



Beamsplitter



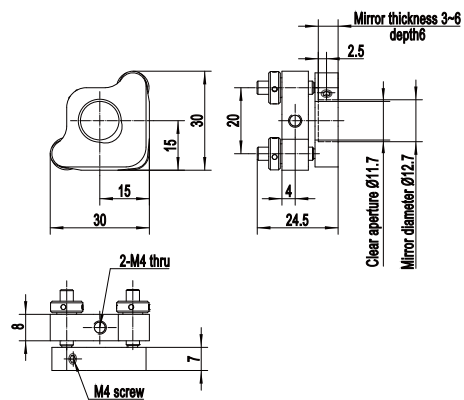
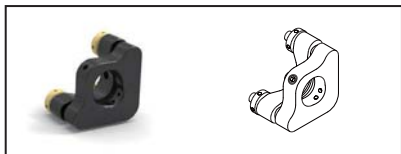
Connecting Accessories

## Selection Table:

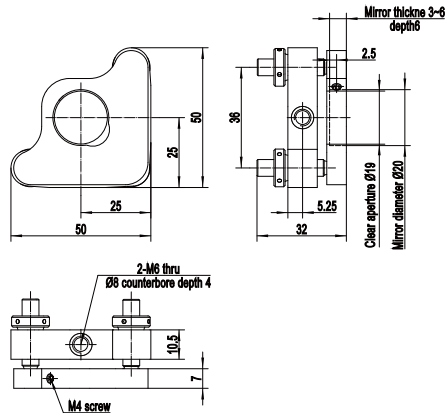
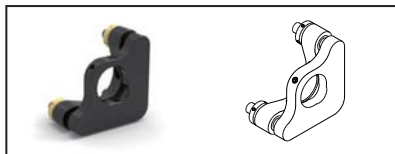
Model	NMHS12.7	NMHS20	NMHS25.4	NMHS30	NMHS38.1	NMHS50.8
Optic Size (mm)	φ 12.5/ φ 12.7	φ 20	φ 25/ φ 25.4	φ 30	φ 38.1	φ 50/ φ 50.8
Optics Thickness (mm)	3~6	3~6	3~6	3~6	3~6	4~10
Adjustment Angle Range (°)	±3					
Front Plate Translation (mm)	MAX6					
Clear Aperture (mm)	φ 11.7	φ 19	φ 24	φ 28	φ 36	φ 49
Optic Center Height (mm)	15	25	25	25	30	35
One Round of Screw Drive vs Angle Adjusted (°)	≈0.57	≈0.33	≈0.33	≈0.33	≈0.25	≈0.2
Main Body Material and Treatment	aluminium alloy, surface treated by black anodic oxidation.					
Thickness of The Fixed Plate(mm)	8	10.5	10.5	10.5	10.5	10.5
Number of Pulling Spring	4					
Locking Mechanics	Yes					
Mounting Hole	M4	M6, sink hole φ 8				
Net Weight(g)	35	95	90	85	100	125

**Dimensions:**

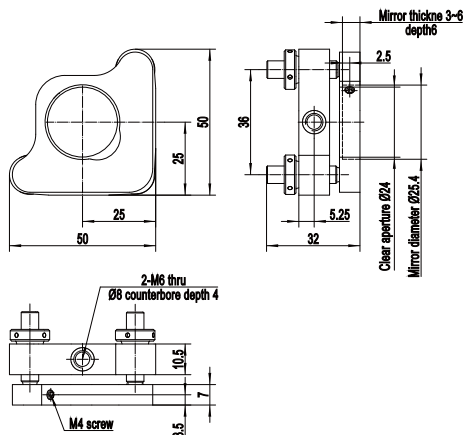
NMHS12.7



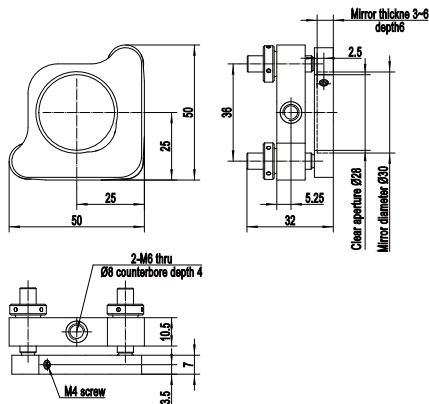
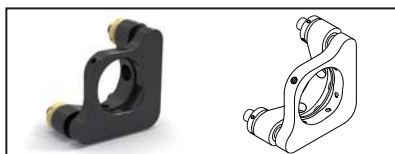
NMHS20



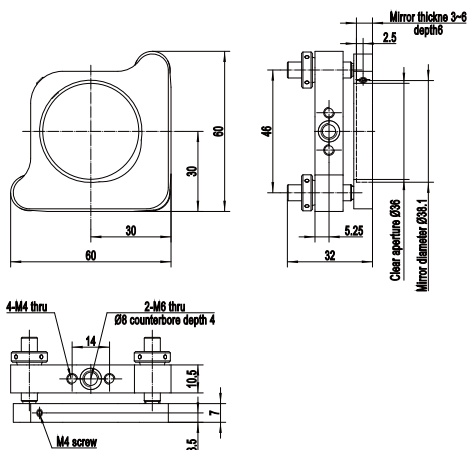
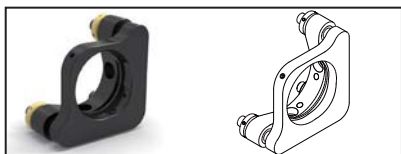
NMHS25.4



NMHS30



NMHS38.1



NMHS50.8

