

组合式手动滑台

AAK系列组合式滑台

特点:

- 主体材料为铝合金，耐腐蚀性好
- 结构紧凑，性价比高
- 驱动位置多样，调整方便

命名规则:

AAK 3 - 60 L

AAK:
AK系列产品组合

轴数:
3: 3轴
4: 4轴
5: 5轴
6: 6轴

台面尺寸:
60: 60×60mm

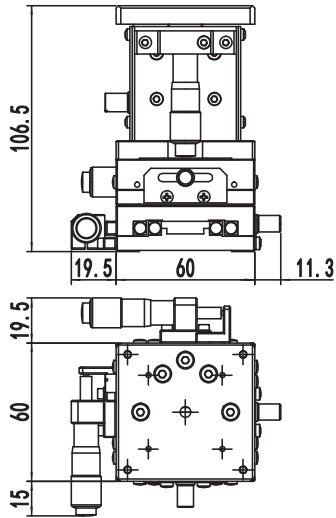
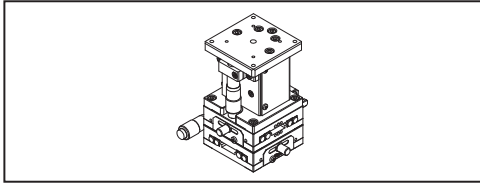
驱动位置:
L: 左侧驱动
R: 右侧驱动

选型表:

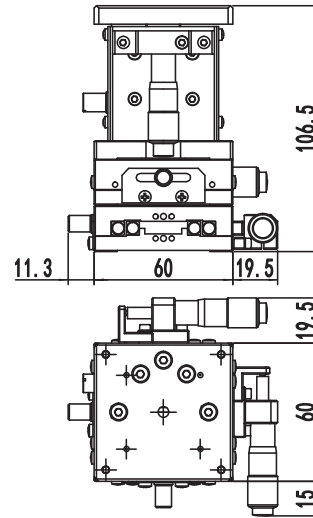
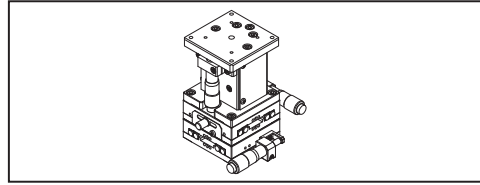
型号	AAK3-60L	AAK4-60L	AAK5-60L	AAK6-60L	AAK3-60R	AAK4-60R	AAK5-60R	AAK6-60R	
配置	X	AK13A-6020SL			AK13A-6020SR				
	Y	AK13A-6020SL			AK13A-6020SR				
	Z	AKV13A-60Z			AKV13A-60Z				
	θz	-	AKR10A-60			-	AKR10A-60R(组合产品专用型号)		
	θx	-	-	AKG75-60		-	-	AKG75-60	
	θy	-	-	-	AKG50-60	-	-	-	AKG50-60
行程 (最小刻度)	X	±6.5mm(10μm/刻度)			±6.5mm(10μm/刻度)				
	Y	±6.5mm(10μm/刻度)			±6.5mm(10μm/刻度)				
	Z	±6.5mm(10μm/刻度)			±6.5mm(10μm/刻度)				
	θz	-	粗调: 360° ; 精调: 10° (50.4" /刻度)			-	粗调: 360° ; 精调: 10° (50.4" /刻度)		
	θx	-	-	±8°		-	-	±8°	
	θy	-	-	-	±10°	-	-	-	±10°
自重(Kg)	1	1.35	1.7	2.1	1	1.35	1.7	2.1	
负载(Kg)	3	2.5	2	1.5	3	2.5	2	1.5	

尺寸图:

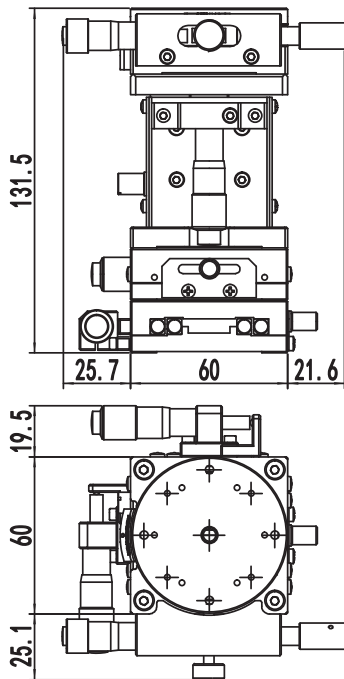
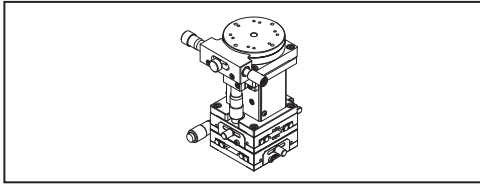
AAK3-60L



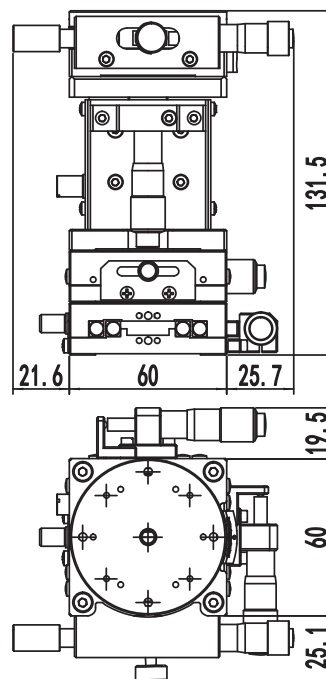
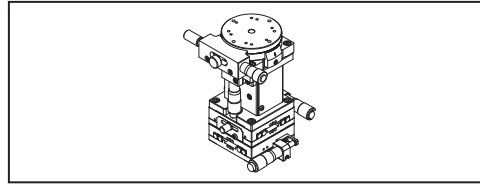
AAK3-60R



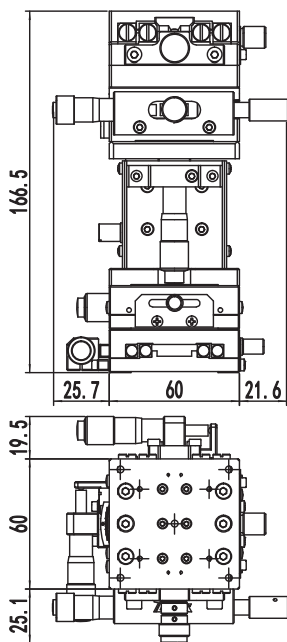
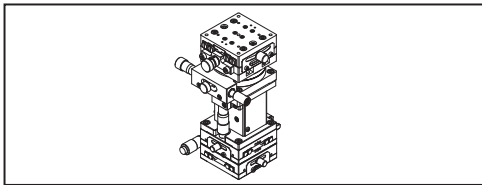
AAK4-60L



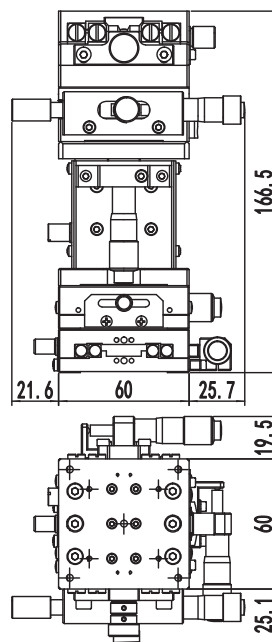
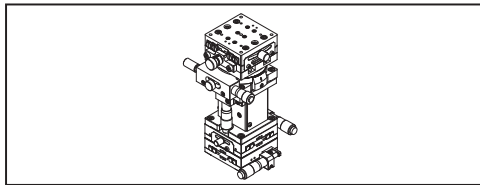
AAK4-60R



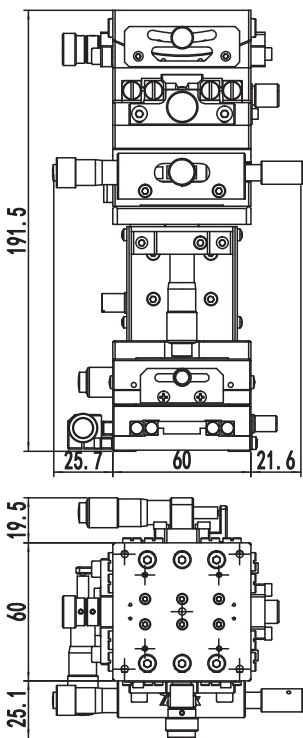
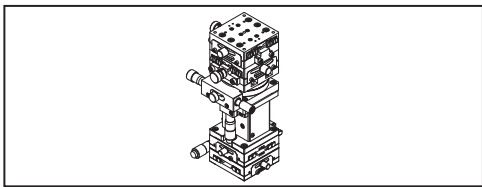
AAK5-60L



AAK5-60R



AAK6-60L



AAK6-60R

