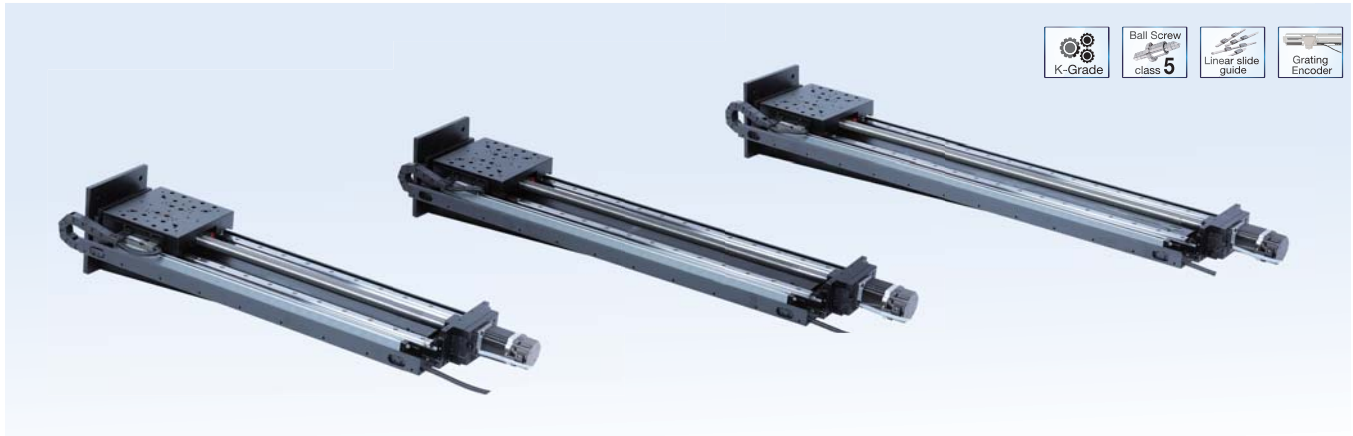


KAxx-Z series high-precision motorized vertical-motion stages



Description:

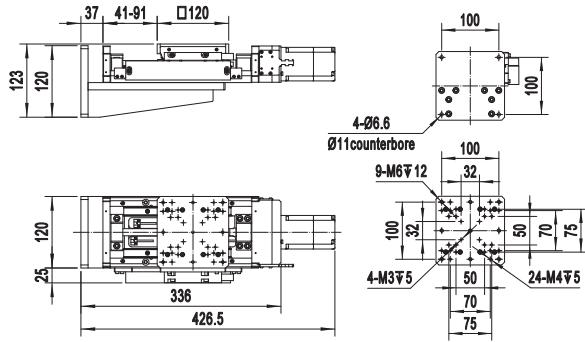
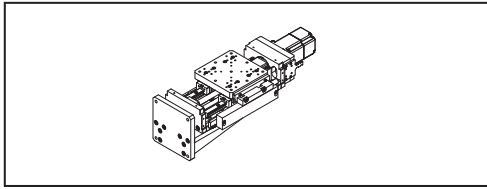
KAxx-Z series high-precision motorized vertical-motion stages are derivative models of Zolix's KA-11-X products. An added right-angle fixing block and a set of power-failure protection unit ensure KAxx-Z series stages can be used as high-precision vertical-motion carriers. Except motion direction and loading capability, others are same as those of standard KSA products. KAxx-Z is used for fine adjustments in Z-direction.

Selection chart:

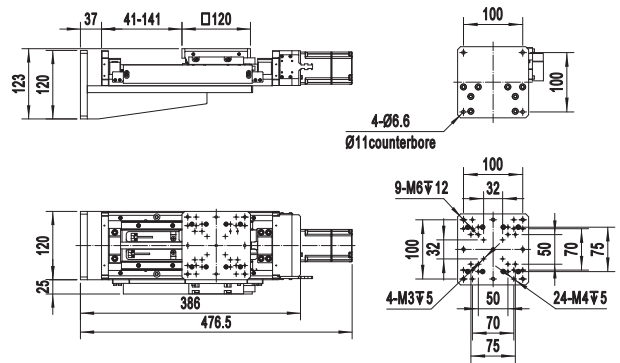
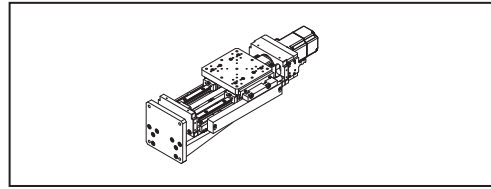
Model number		KA050-Z	KA100-Z	KA150-Z	KA200-Z	KA300-Z	KA400-Z	KA600-Z	KA800-Z	KA1000-Z	
Mechanical specifications	Travel range(mm)	50	100	150	200	300	400	600	800	1000	
	Table dimensions(mm)	120×120				150X150		200X200			
	Transmission mechanism	precise ball screws Φ12×4				precise ball screws Φ16×5		precise ball screws Φ25×5			
	Guides (guiding mechanism)	linear-slider guides									
	Main body materials and surface treatments	Black anodic-oxidation aluminum-alloy									
	Weight (Kg)	8.4	8.8	9.6	10.3	13.3	14.9	31	36.8	41.6	
	Shaft coupling (external diameter-diameter of aperture 1-diameter of aperture 2) (mm)	30-6.35-8						32-8-12			
Accuracy specifications	Closed-cycle resolution (μm)	1									
	20-fine-subdivision resolution (μm)	1				1.25					
	Highest speed (mm/s) *	40				50					
	Single-direction positioning accuracy (μm)	≤30				≤40					
	Repositioning accuracy (μm)	≤±3				≤±5					
	Repositioning accuracy (μm)	≤3				≤5					
	Backlash clearance (μm)	≤5				≤0.1					
	Static parallelism (mm)	≤10				≤15		≤10μm/100mm			
	Motion linearity (μm)	≤15				≤20		≤10μm/100mm			
	Motion parallelism (μm)	≤30				≤40		/			
	Pitch (")	≤35				≤55		/			
	Electrical specifications	Motor and its stepping angle (°)	Two-phase 57 stepping motor, 1.8								
Brand and model number of motor		Shinano, SST59D3201						Shinano, SST59D5301-SD			
Working current (A)		2.0				3.0					
Torque of motor (N·m)		1.3				1.57					
Brand of grating ruler		Fagor, MX or MKX series									
Brand and model number of stepping driver (optional)		Moons, SR4									
Type of plugs for stages		DB9(pin)									
Type of cables for stages		High flexible cables (Helukabel, Germany)									
Length of cables for stages(m)		0.2									
Position-limit sensors (built-in)		2*PM-L25 (SUNX, Japan)									
Origin-point sensors (built-in)		11*PM-L25 (SUNX, Japan)									
Voltage of power supply for sensors (V)		DC5~24V ±10%									
Consuming current (mA)		<60 (total)									
Output for control		collector of NPN open-circuit output									
Status of output ports		Position limit sensor: output ON when sensor is blocked; Origin-point sensor: output OFF when sensor is blocked									
Operating load	Vertical direction-central (Kg)	15						30			

Dimensions:

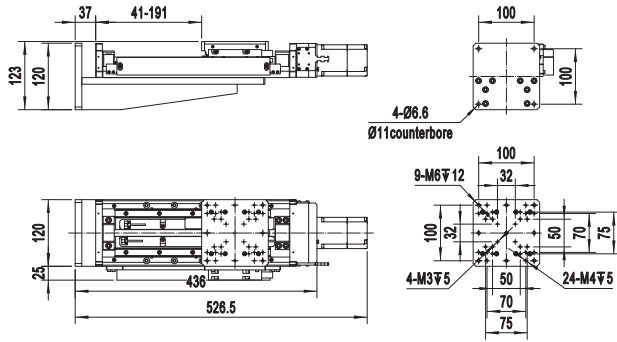
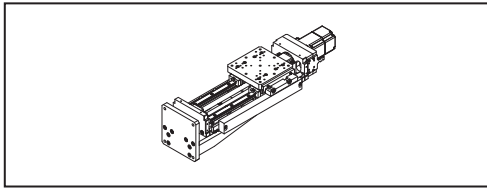
KA050-Z



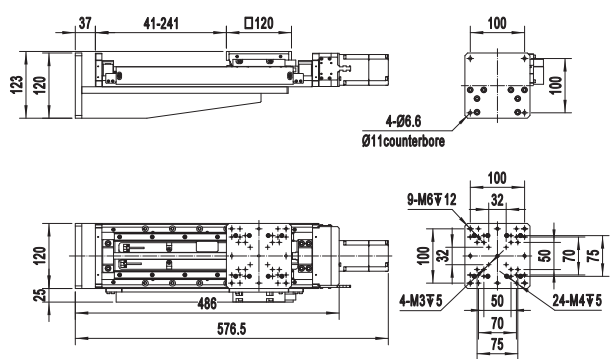
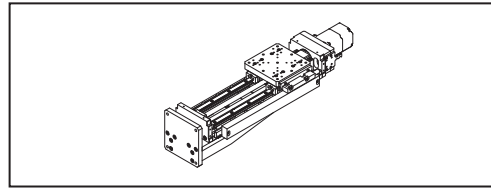
KA100-Z



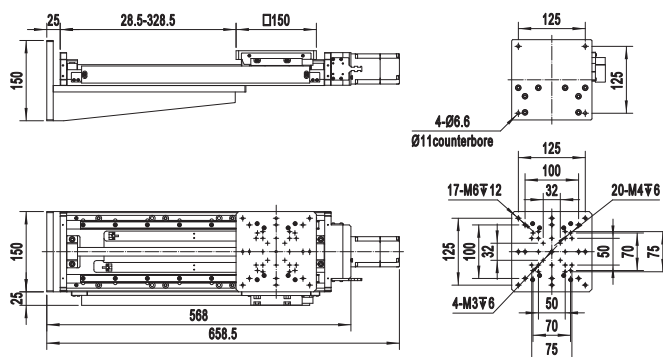
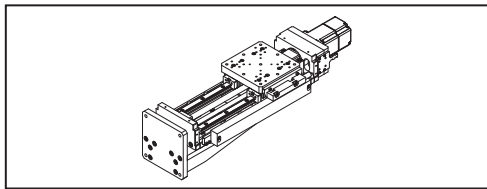
KA150-Z



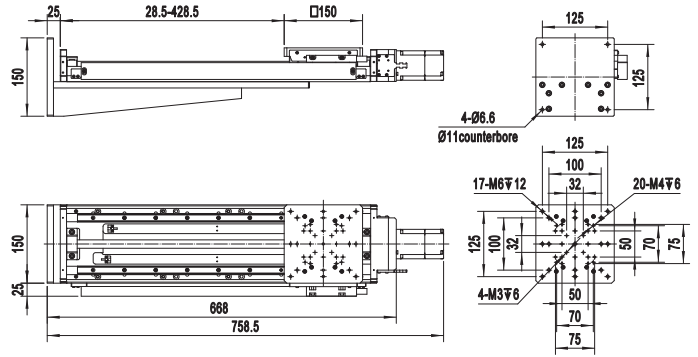
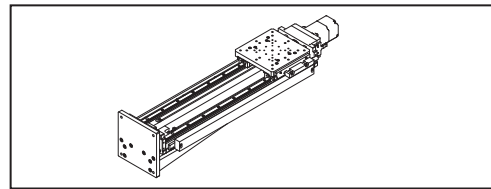
KA200-Z



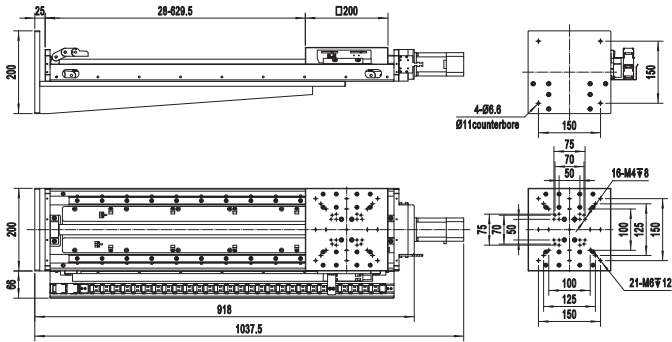
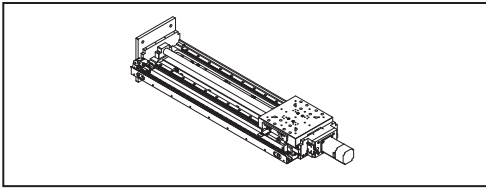
KA300-Z



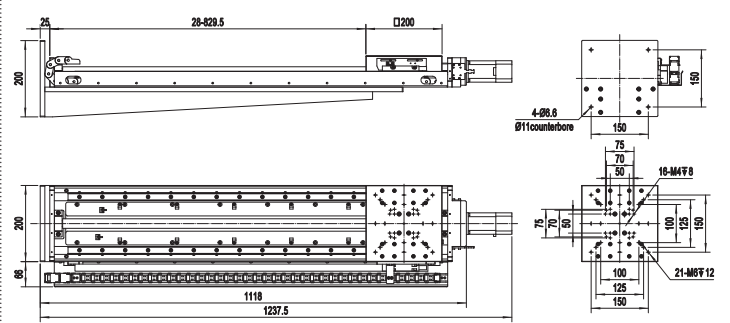
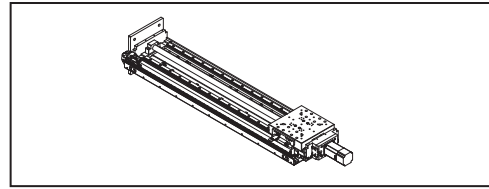
KA400-Z



KA600-Z



KA800-Z



KA1000-Z

