

Txx series motorized supporting frame systems



Description:

The typical configurations of Txx series motorized supporting frame systems include dual-X, dual-Z axis or the combination of them. It is Dual-side driven mechanism to guarantee motion stability and uniformity of driving forces during operations.

Main characteristics:

- Multi optional selections of driving devices, such as servo motors, linear-driven motors
- Default set of tow chain is standard to offer a nicer appearance and easy installation of cables
- Modular design for easy maintenance
- Customer-designed proposals are acceptable

Naming rules:

T H Z - X X X

Series code:
T: motorized supporting frame systems

Travel range of X-axis:
X: See the following notification sheet

Travel range of Z-axis:
X: See the following notification sheet

Structure of frame:
I: single horizontal axis (X or Y)
X: single-X-axis + single-Y-axis
Z: single-Z-axis
U: dual-Z-axis
XZ: single X-axis + single-Y-axis + single-Z-axis
H: dual-X-axis + single-Z-axis
HZ: dual-X-axis + single-Y-axis + single-Z-axis
HU: dual-X-axis + single-Y-axis + dual-Z-axis

Travel range of Y-axis:
X: See the following notification sheet

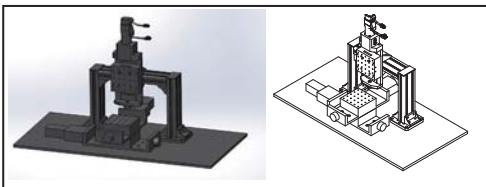
Notification sheet:

Travel range(mm)	50	100	150	200	300	400	500	600	800	1000	1200
Code:	A	1	B	2	3	4	5	6	8	E	F

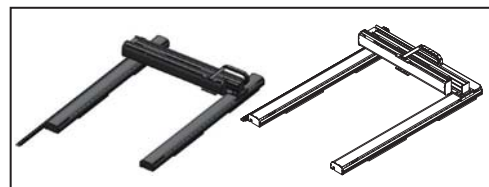
There is NO configuration of combination of Y-axis and Z-axis.

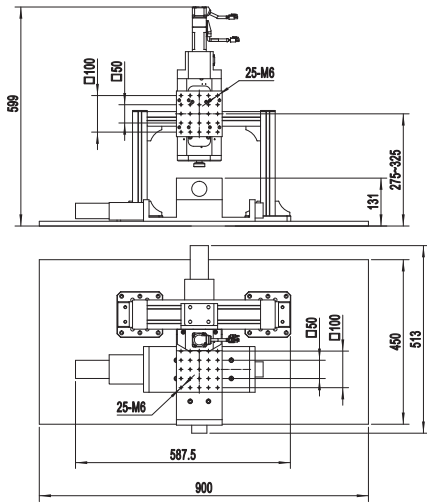
Dimensions:

TXZ-BBA

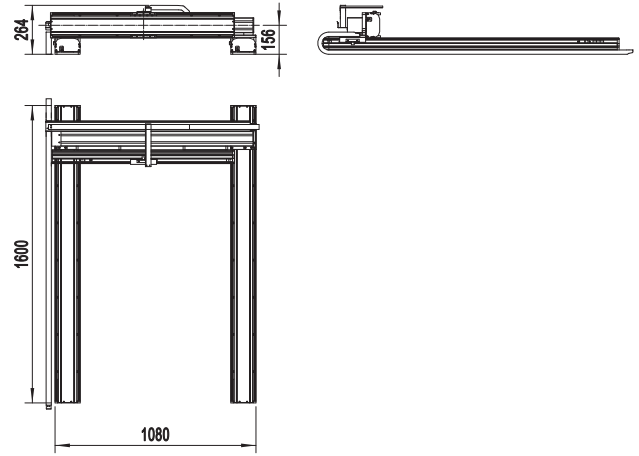


TH-F6



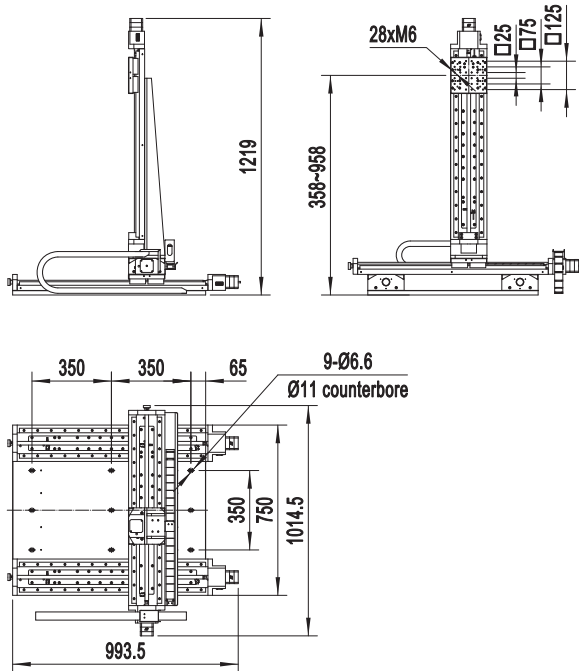
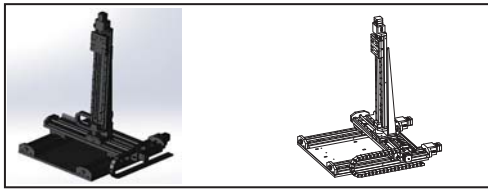


Item	Specification
Travel range (XYZ, mm)	150×150×50
Repositioning accuracy for single axis (μm)	$\leq \pm 3$
Horizontal loading capability (Kg)	20
Vertical loading capability (Kg)	20
Type of motors	stepping or servo



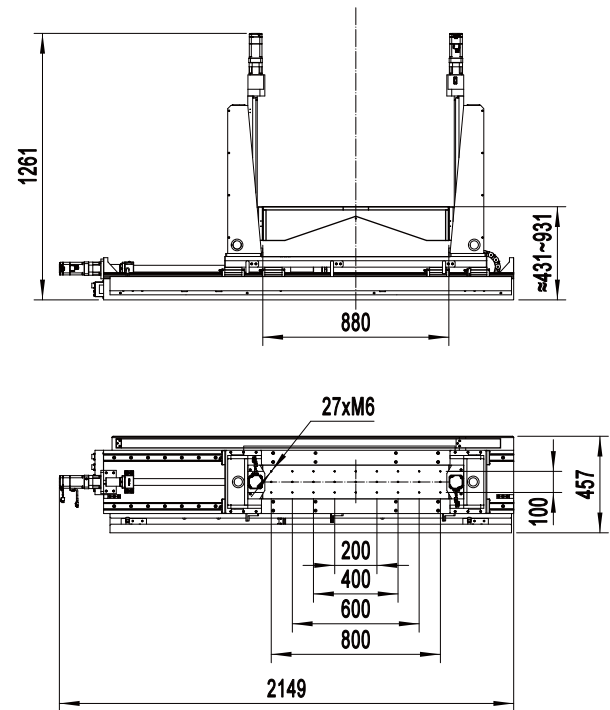
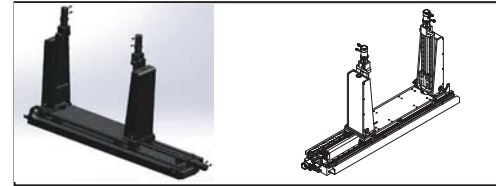
Item	Specification
Travel range (XY, mm)	1200×600
Repositioning accuracy for single axis (μm)	$\leq \pm 10$
Horizontal loading capability (Kg)	15
Type of motors	stepping or servo
Remark	tow chain installed

THZ-666



Item	Specification
Travel range (XYZ, mm)	600×600×600
Repositioning accuracy for single axis (μm)	$\leq \pm 5$
Vertical loading capability (Kg)	12
Type of motors	stepping or servo

TIU-65



Item	Specification
Travel range (XZ, mm)	600×500
Repositioning accuracy for single axis (μm)	$\leq \pm 5$
Vertical loading capability (Kg)	20
Type of motors	stepping or servo